

System Controller Dual Pressure/Vacuum Source

Model PCNC-0071-00



Features :

System Controller for Seyonic Air Driven Pipetting Systems

Operates up to 8 single channel pipetting modules (PCNC-0061-00) or one 8-channel unit (PCNC-0070-00).

Dual Pressure/Vacuum Source for fast switching time between aspirate and dispense pressure

Single point interface with the application host computer.

Product Summary:

The System Controller allows seamless integration of the Seyonic Air driven Pipettors with the customer automated platform.

It acts as utility module serving the pipetting systems and provides the interface between the pipetting system and the automated platform's host computer. It operates up to 8 Single-Channel units or one of the 8-Channel modules by supplying the necessary vacuum and positive pressures for pipetting actions while acting as a central connection point for commanding the pipettor channels.

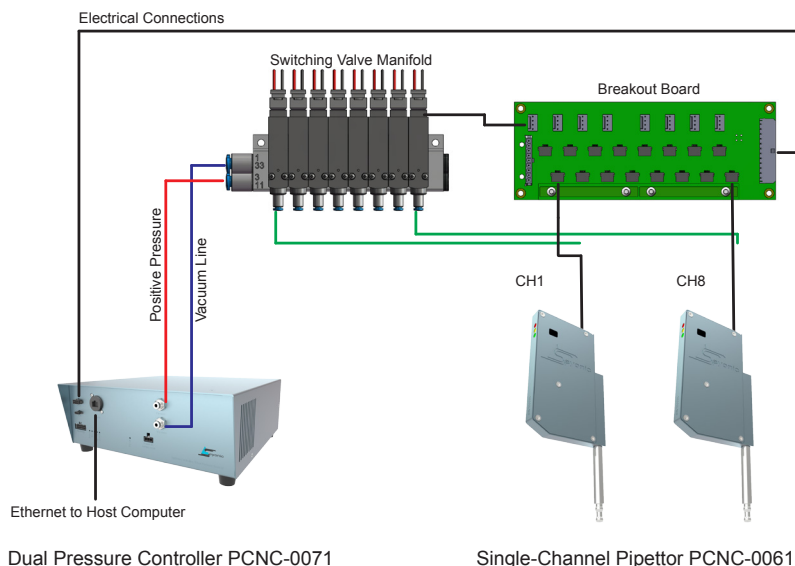
The system interface consists of a panel providing communication to the host PC via a TCP/IP port, a connector for hardware I/O signals for realtime coordination of the pipetting actions with the robotic system and the connection to the pipettors. Outlets for positive and negative pressure allow chaining 4-mm tubing to bring the working pressure to the pipettors.

System Controller Dual Pressure/Vacuum Source

Model PCNC-0071-00

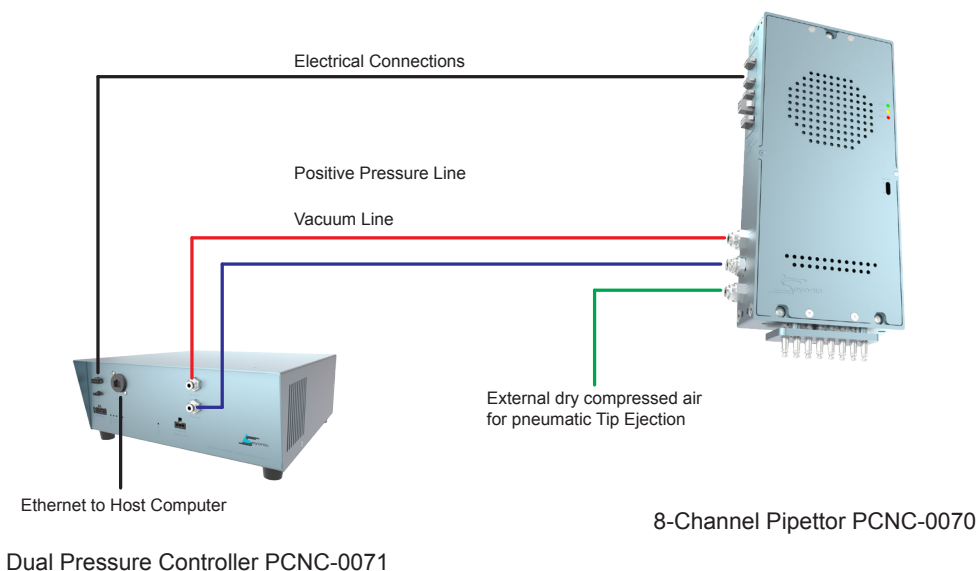
Single Channel Dispenser(s), Dual Pressure control, Ethernet Connection

In this configuration, each pipetting channel has its own switch valve to commute between vacuum and pressure. It is thus possible to aspirate and dispense with different channels at the same time. The Ethernet connection to the controller ensures a high communication speed and is recommended when a larger number of pipettors is used.



8-Channel Dispenser, Dual Pressure control, Ethernet Connection

The Dual Pressure Controller with Ethernet connection is recommended for the Fixed-8-Channel Pipettor for optimum pipetting speed. In this case, the pipetting channels share a common pressure switching valve and cannot independently aspirate and dispense at the same time.



System Controller Dual Pressure/Vacuum Source

Model PCNC-0071-00

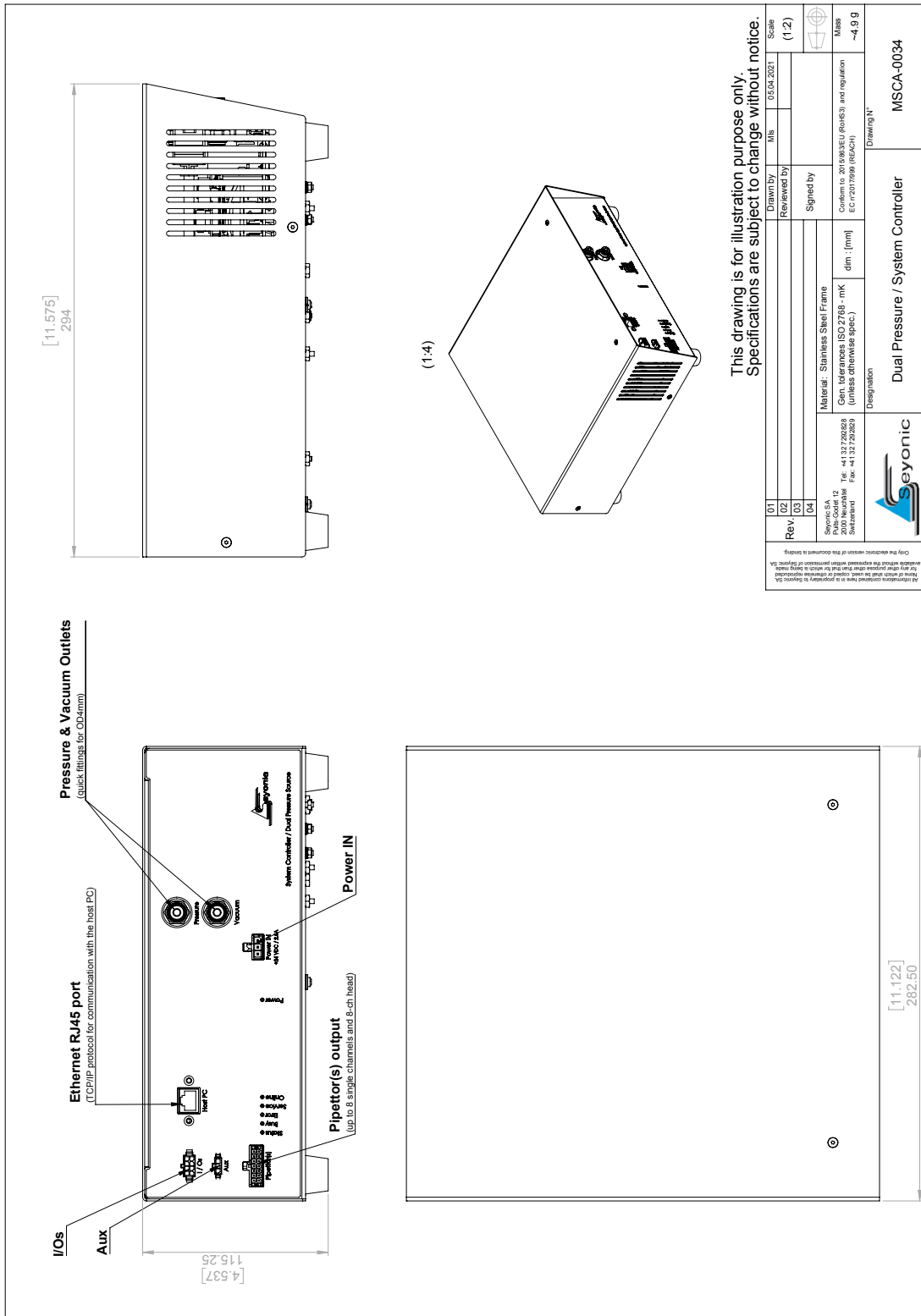
Specifications :

Pressure range -500 to +500 mbar gauge	Communication TCP/IP Protocol Ethernet RJ45 connector
Precision on pressure < 1 % FS	Operating temperature 10 to 40 °C
Power requirements max. DC 24 V / 60W	Weight 5.0 kg

Product Code	Description
PCNC-0071-00	• System Controller Dual Pressure/Vacuum Source

System Controller Dual Pressure/Vacuum Source

Model PCNC-0071-00



Mechanical Drawing

Customized integration and solutions on request.